

Extend Line Card

A powerful, next-generation application mediation device from Kentrox, The Extend Line Card facilitates rapid integration of network elements with both legacy and next-generation operations support systems (OSS's and NGOSS's). With it, your organization will:

- Reduce OSS integration costs
- Gain intelligence at the edge
- Improve return on current network investments
- Increase efficiency of OSS
- Gain flexibility and scalability

Reduce OSS integration costs

Extend greatly eases integration of network elements to existing and new generation OSS's, giving you a seamless migration and saving you time and money.

Gain intelligence at the edge

Extend pushes intelligence to the edge—closer to the network elements where the economic advantages of a distributed process are realized the most.

Improve return on current network investments

Extend allows legacy network elements to interact with existing and new generation OSS's, extending their useful life.

Increase efficiency of OSS

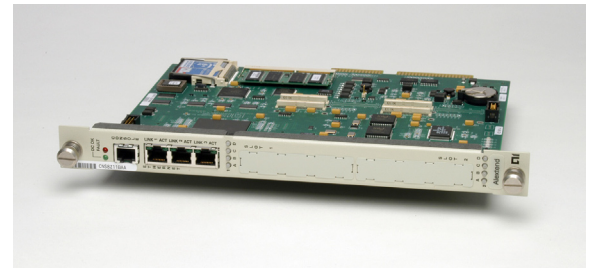
Through remote polling and alarm filtration, Extend greatly reduces the burden on the central OSS.

Gain flexibility and scalability

Extend allows your staff to author multiple scripts, creating extensibility into future applications.

Extend Applications

Extend provides numerous application layer mediation functions between network elements (NE's) and operations support systems via an extensible scripting capability. Extend allows you to adapt any NE to SNMP, CORBA, TL1, XML or other standard interface—even elements without an EMS or Ethernet port can be brought into management. This Linux-based, intelligent edge device allows Switch to mediate any of your legacy network elements to the latest OSS and NMS systems without changing or upgrading those network elements. Depending on specific customer needs, this unique product can provide a variety of functions at the edge, including protocol mediation, alarm correlation/filtration, and fault or performance polling and aggregation.



Key features of the Extend Line Card include:

- Intelligent, customizable scripting capability at the edge that is user extensible
- Distributed polling for fault and other NE data
- Alarm filtering and correlation
- Aggregation of performance data
- Fault caching for emergency situations
- North- and south-bound SNMP mediation for any network element
- Allows serial cut-through to network elements for seamless integration with existing management
- Installs into existing Switch chassis, further leveraging your Switch investment

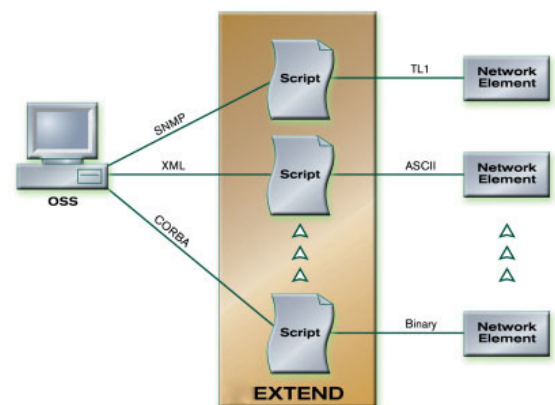


Figure 1: The Extend Line Card aggregates multiple remote site devices over an IP network.

Extend Line Card

FUNCTIONAL SPECIFICATIONS

Input/output Communication Ports:

- Three 10/100BaseT Ethernet ports
- Two unused PMC slots for future expansion

Supported Protocols:

- Any proprietary ASCII or binary protocol
- SNMP
- TL1
- TBOS
- CORBA
- XML
- Q3/CMIP
- Telnet
- FTP
- TACACS+AAA
- RADIUS

Management & Management Access:

- SNMP
- FTP
- Telnet
- Craft access port

Events/Alarms:

- SNMP alarm and event reporting

Supported Chassis Systems:

- Switch 180
- Switch 130
- Switch 120
- Switch 110

Application Support:

- Support for up to 100 concurrent scripts
- 256 Meg DRAM Memory
- 128 Meg CompactFlash storage (expandable to 1 Gig)
- Python

PHYSICAL SPECIFICATIONS

Depth:	9.1 in., (23.2 cm)
Height:	11.9 in., (30.23 cm)
Width:	1.13 in., (2.9 cm)
Weight:	2 lbs (0.9 kg)
Rack mounting:	19- or 23-inch racks, as determined by Switch chassis systems

Power Requirements:

- Via Switch backplane
- 9.50W power consumption
- 1.9 A, maximum current draw

Compliance/Certifications/Standards:

- NEBS level 3 certified
- UL 60950

For more information visit www.kentrox.com, email info@kentrox.com or call **800-733-5511**.